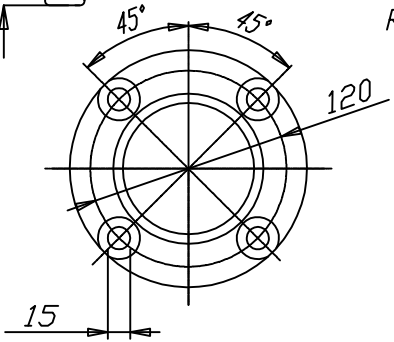
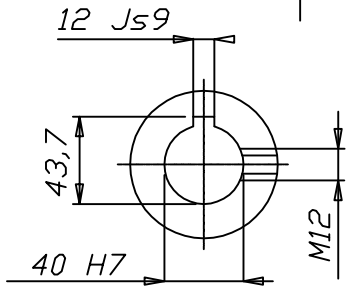


RIF. L40 08

RIF. M85 08



**WARNING!**  
 SECTIONS OF THE ASSEMBLY MARKED ARE NOT SHIELDED AND MUST BE SHIELDED BY AN INTERACTIVE GUARDING SYSTEM BINACCHI Srl DECLINES RESPONSIBILITY IF PROPER GUARD ARE NOT PROVIDED OR MAINTAINED.



TIPO-TYPE TYP <b>B8</b>	CLIENTE-CUSTOMER-CLIENT-KUNDE <b>DANI-TECH A/S -DK-</b>		DATA 05/09/19
	RIF.CLIENTE-CUSTOMER REF.-REF.CLIENT-BEZUG KUNDE	ORIGINE	VISTO
MODIFICHE-MODIFICATIONS-ANDERUNGEN-MODIFICACIONES <hr/> <hr/> <hr/> <hr/>			
POTENZA : 95 Cv (540 g/min) COPPIA : 1240 Nm (540 g/min)	NOTE :		